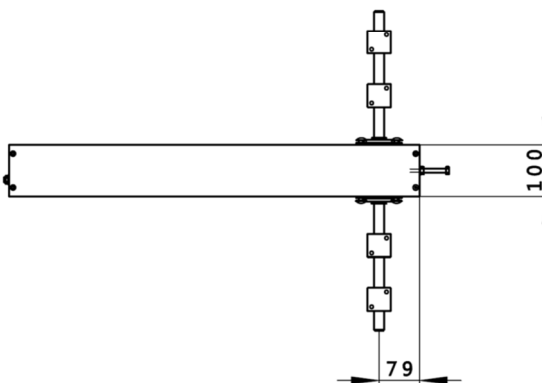
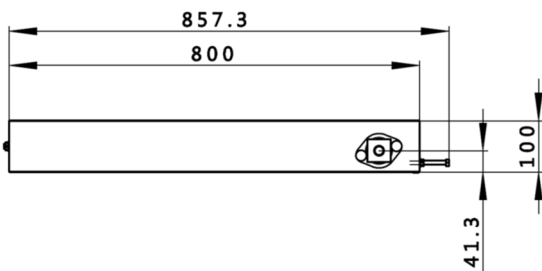
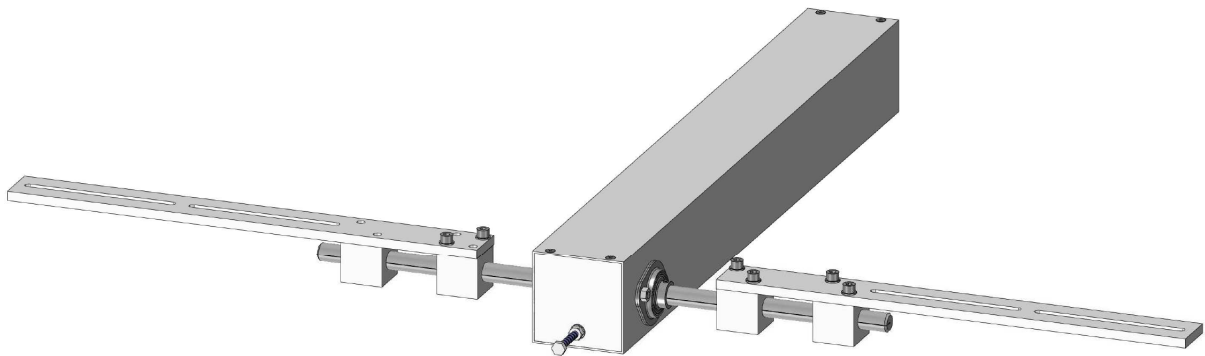


TILTING SYSTEM MOD. BA 60

Component that allows the tilting of the guns in three positions.

BA 60 is mounted on the guide carriage of reciprocator by appropriate plates of our supply.



TECHNICAL FEATURES

- Framework tubular light alloy.
- Cylinder air handling.
- Tilting with handling mechanism rack and pinion-toothed wheel.
- Angle adjustable tilting.
- Plates for guns holders slotted, to facilitate a correct and complete adjustment of the poles support.

MODEL	BA 60
MAXIMUM CAPACITY [Kg]	8
ROTATION ANGLE	-30° 0° 30°
NOISE [Db]	< 70